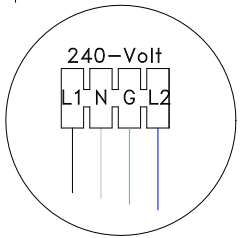
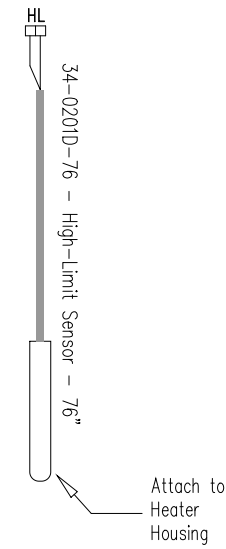
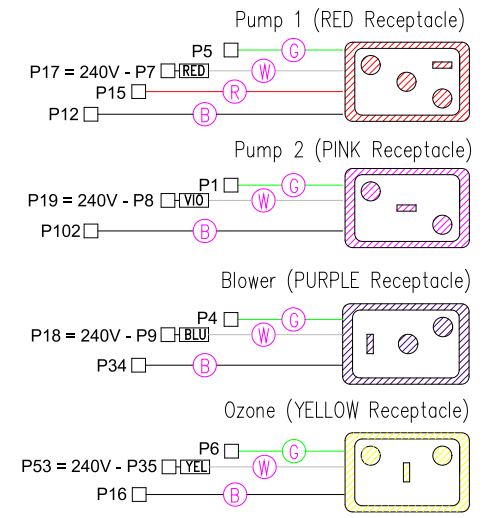
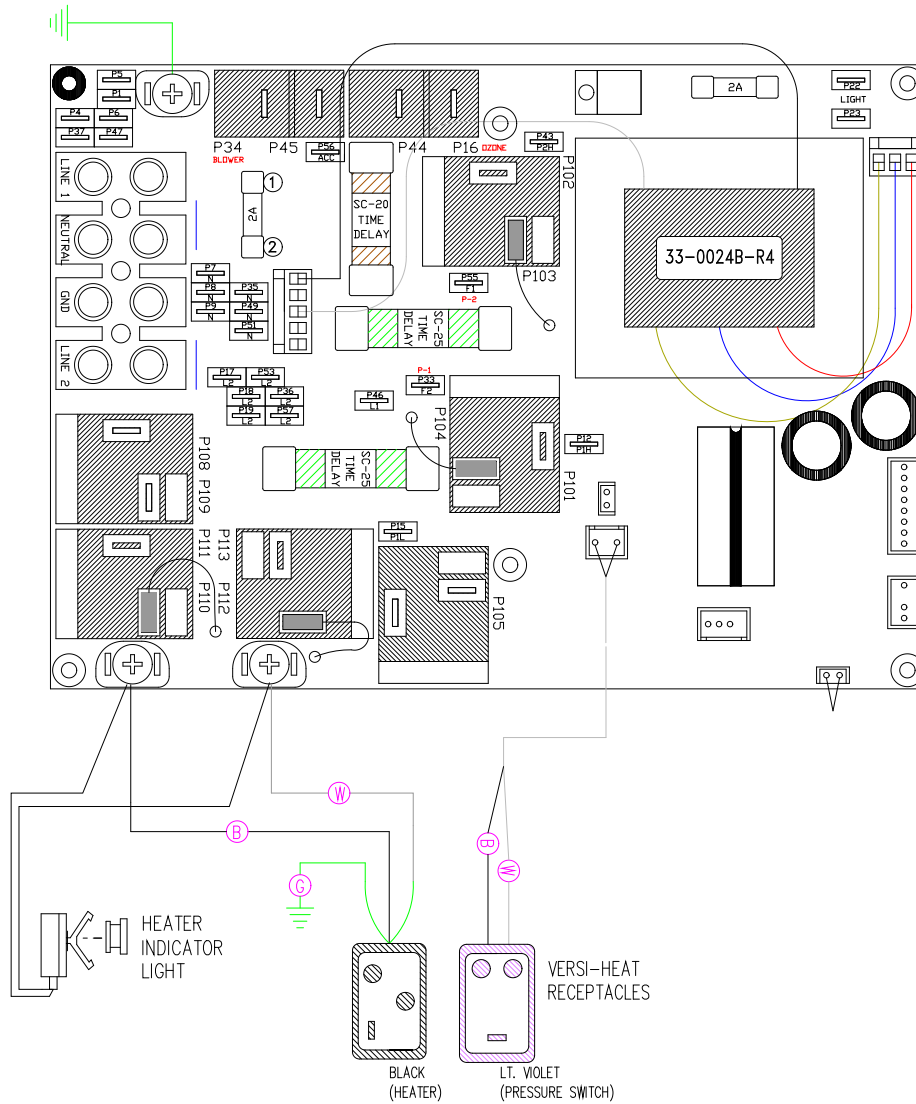


#1



LEGEND	
□	- 1/4" QUICK CONNECT
▤	- 1/4" QUICK CONNECT PIGGYBACK
○	- RING CONNECTOR
◻	- SOCKET CONNECTOR
△	- PIN CONNECTOR



HYDRO-QUIP
CORONA, CA (951) 273-7575

Manufacture Notes:

#1 Line 1 and Line 2 need to be CONNECTED for 120V operation.

Dwg. No. M5S56A0-DKQY-SZ5	Drawn MBS	Rev 11	Wire Color Code B - Black G - Green Br - Brown Bl - Blue R - Red V - Violet O - Orange W - White Y - Yellow Gr - Gray
Date 12.12.08	Diagram No. 8000		